

GPS-C MU 4/FM/...

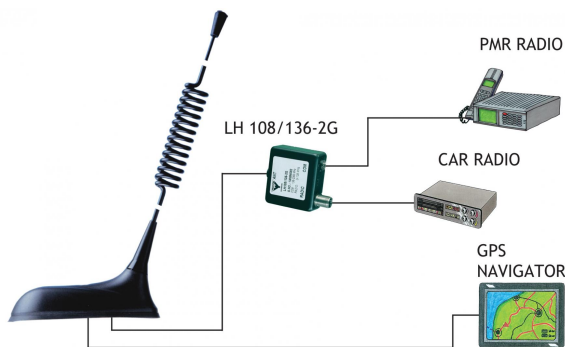
Colinear 4 dB Mobile Antenna for the 450 MHz Band

DESCRIPTION

- External antenna whip mounted on the GPS-Combi mount.
 - 4 dB mobile antenna with conical stainless steel whip.
 - Receiving FM-radio when using a Diplexer (LH 108/136-2G).
 - Easily removable whip for car wash.
- GPS-antenna for fixed installations.
 - Full hemispherical coverage.
 - Built-in high gain, low noise amplifier.
 - Right-Hand Circular Polarisation (RHCP).
 - 5 V supply voltage (3 V respectively 12 V available on request).
 - DC supply via RF-connector.

ORDERING DESIGNATIONS

TYPE NO.	FREQUENCY	PRODUCT NO.
GPS-C MU 4/FM/s	380 - 410 MHz	132000055
GPS-C MU 4/FM/f	406 - 430 MHz	132000052
GPS-C MU 4/FM/l	420 - 450 MHz	
GPS-C MU 4/FM/h	440 - 470 MHz	132000053



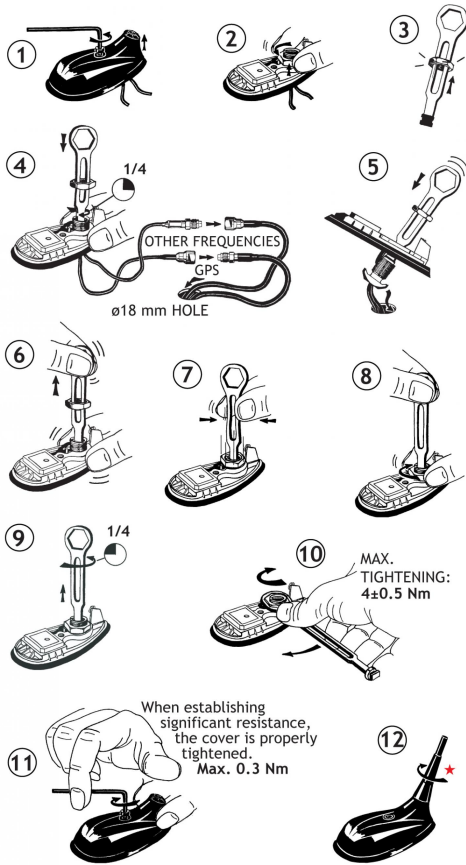
SPECIFICATIONS FOR WHIP

ELECTRICAL	
MODEL	GPS-C MU 4/FM/...
ANTENNA TYPE	Colinear mobile whip antenna
FREQUENCY	Models within 380-470 MHz Also receiving FM-radio (88 - 108 MHz)
IMPEDANCE	Nom. 50 Ω
POLARISATION	Vertical
GAIN	4 dB (acc. to EIA RS-329-1) for the 450 MHz band
SWR	< 1.3 @ f.res. for the 450 MHz band
MAX. POWER	25 W
MECHANICAL	
MATERIALS	Black-chromed stainless steel
COLOUR	Black
HEIGHT	Approx. 590 mm (dep. on frequency)
WEIGHT	Approx. 65 g (dep. on frequency)
MOUNTING	On the GPS-Combi mount

SPECIFICATIONS FOR GPS-COMBI MOUNT

ELECTRICAL GENERAL SPECIFICATIONS	
MODEL	GPS-COMBI MOUNT
ANTENNA TYPE	Active patch antenna
FREQUENCY	1575 MHz
IMPEDANCE	Nom. 50 Ω
POLARISATION	Circular right-hand
COVERAGE	Hemispherical
GAIN	28 dBic in axial direction (typ.)
CROSS-POLARISATION ATT.	> 10 dB (typ.)
SELECTIVITY	> 45 dB down at ± 45 MHz
BUILT-IN AMPLIFIER	
GAIN	> 30 dB (typ.)
NOISE FIGURE	< 1 dB (typ.)
P 1dB	Approx. +7 dBm
SWR (output)	≤ 2.0
SUPPLY VOLTAGE	5 ± 0.5 VDC (3 V resp. 12 V on request)
CURRENT CONSUMPTION	Approx. 25 mA
MECHANICAL (ONLY FOR THE GPS-PART)	
MATERIALS	Cu-nite brass Stainless steel Reinforced thermoplastic
ANTENNA COLOUR	Black
TEMP. RANGE	-35° C → +75° C
CONNECTOR	FME (male for GPS) + FME (female for mobile antenna)
RECOMMENDED INSTALL. TORQUE	4 ± 0.5 Nm
DIMENSIONS(H x L)	Approx. 30 x 89 mm
ROOF THICKNESS	Max. 2.5 mm
WEIGHT	Approx. 114 g
MOUNTING	∅18.0 mm dia. hole for roof thickness up to 2.0 mm ∅18.5 mm dia hole for roof thickness 2.0 - 2.5 mm Tools for mounting included

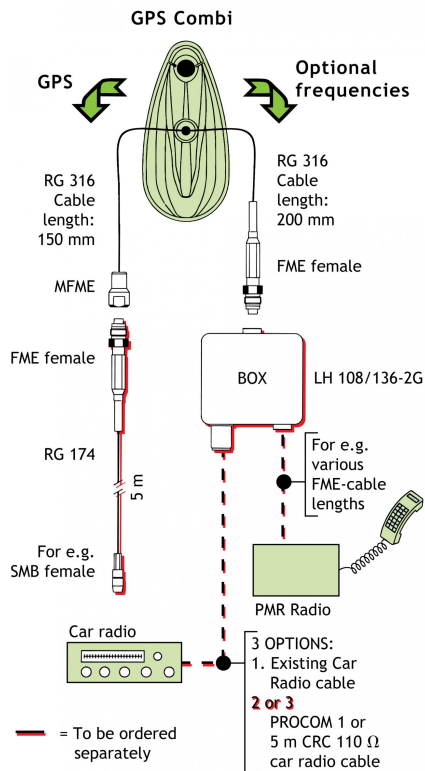
MOUNTING INSTRUCTIONS



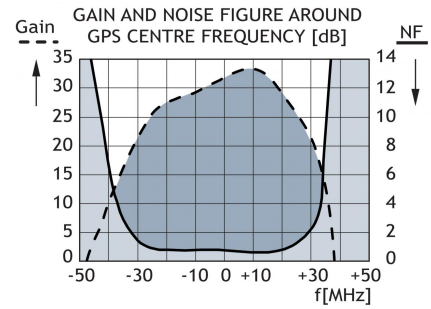
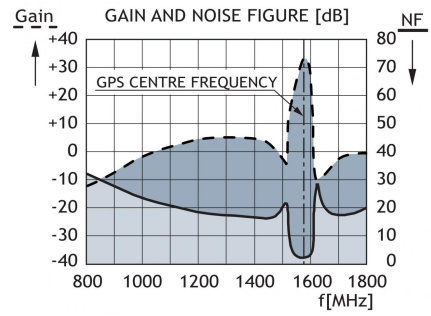
★ The whip should always be dismantled during car wash.

Do not use sealer on rubber gasket or other places.

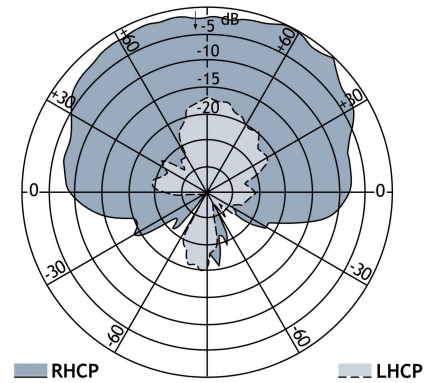
CABLE MOUNTING



TYPICAL RESPONSE CURVES



VERTICAL RADIATION PATTERN



PROCOM A/S reserve the right to amend specifications without prior notice.
23/08/13